

DS-LEDM-A27

SEAMLESS CONNECT dvLED Mounting System

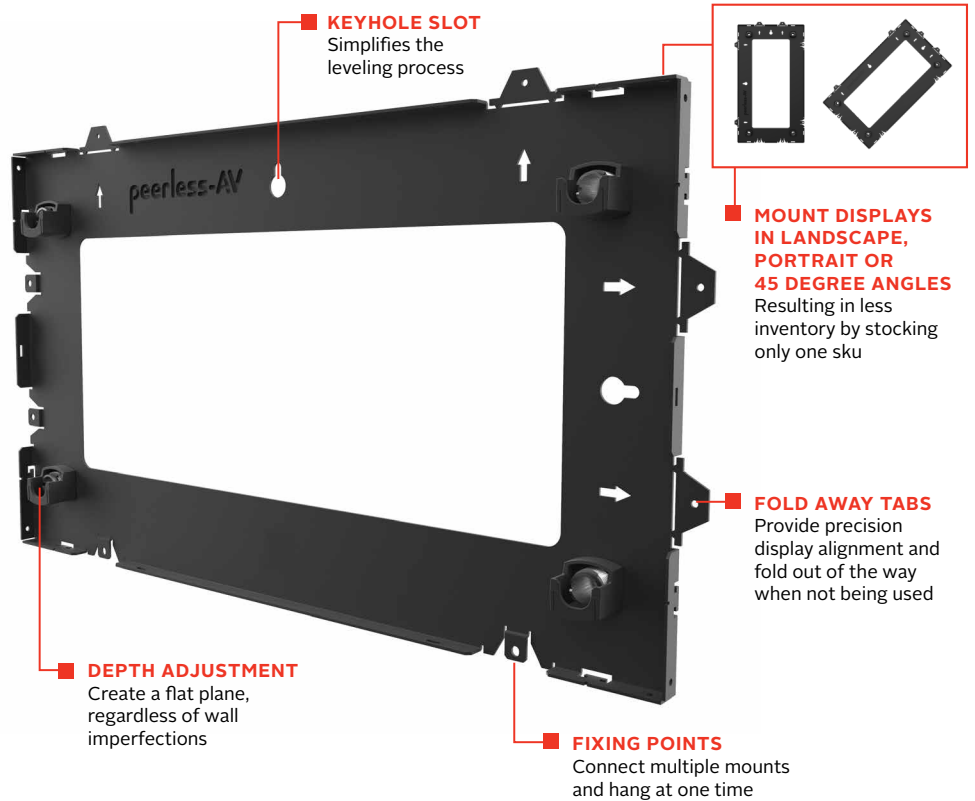
FOR ABSEN ACCLAIM PLUS AND ACCLAIM
PRO SERIES DIRECT VIEW LED DISPLAYS



Peerless-AV's SEAMLESS Connect Series dvLED Mounting System is designed exclusively for the Absen Acclaim Plus and Acclaim Pro Series Direct View LED Displays. Offering slim, space-saving designs, this 1:1 modular dvLED video wall mount is a flexible solution that can be installed in any configuration (landscape, portrait or 45 degree angles). With depth adjustment, precision mount spacing, easy-hang hardware and a robust steel frame, integrators can quickly and easily build the perfect dvLED video wall. Peerless-AV® also offers start to finish support through the SEAMLESS dvLED Video Wall Integration Program. The Peerless-AV dvLED Solutions Team is there every step of the way to ensure every customer receives SEAMLESS product support and service.



- Stockable 1:1 modular solution for quick order fulfillment
- Flexible design allows the installer to micro-adjust the depth from the front and back of the mount
- String alignment feature simplifies the vertical plane alignment process
- Gently install displays on the mount with the included interface bobbins



SEAMLESS by Peerless-AV® - dvLED Video Wall Integration Program offers:

EXPERT ENGINEERING & DESIGN	CUSTOM PROJECT MANAGERS	FULL INSTALLATION SERVICES	SEAMLESS dvLED MOUNTING SYSTEMS



Visit Peerless-AV.com/SEAMLESS
to get your project started!

DS-LEDM-A27 SEAMLESS Connect Series dvLED Mounting System for Absen Acclaim Plus and Acclaim Pro Series Direct View LED Displays

Product Specifications

	DIMENSIONS (W x H x D)	PRODUCT WEIGHT	LOAD CAPACITY	FINISH	AVAILABLE COLORS
DS-LEDM-A27	24.60" x 14.09" x 1.88" - 2.23" (625 x 358 x 48 - 57mm)	4.8lb (2.2kg)	88lb (40kg)	Powder Coat	Black

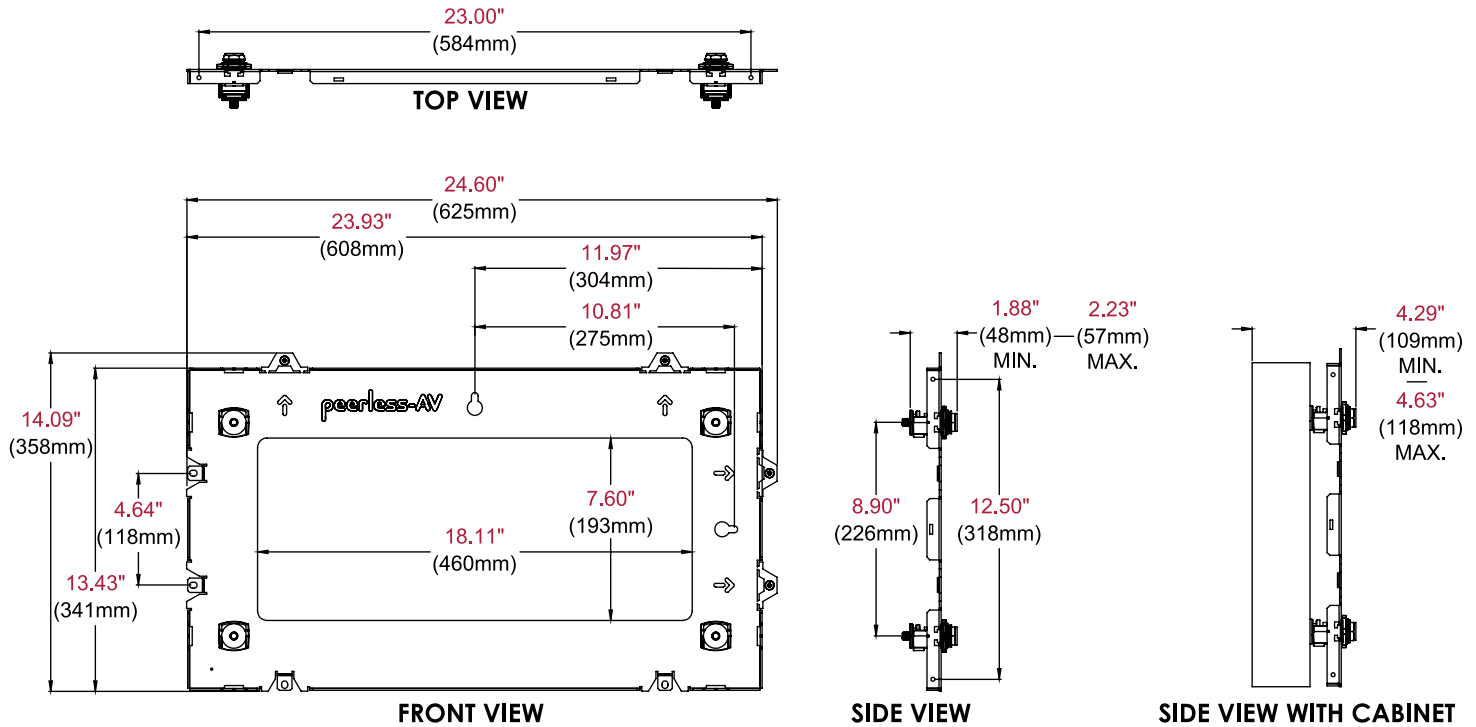
Package Specifications

	PACKAGE SIZE (W x H x D)	PACKAGE SHIP WEIGHT	PACKAGE UPC CODE	PACKAGE CONTENTS	UNITS IN PACKAGE
DS-LEDM-A27	28.00" x 17.00" x 2.00" (711 x 432 x 51mm)	6.4lb (2.9kg)	735029339441	Mount, Mounting Hardware & Depth Adjustment Key	1

Accessories

DS-LEDTK Models: Universal Trim Kit for dvLED Video Walls 3.5" to 5.9" Deep

All dimensions = **inch** (mm)



Architect Specifications

The SEAMLESS Connect Series dvLED Mounting System shall be a Peerless-AV model DS-LEDM-A27 and shall be located where indicated on the plans. Assembly and installation shall be done according to instructions provided by the manufacturer.

Visit peerless-av.com to see the complete line of AV solutions from Peerless-AV, including outdoor displays, kiosks, digital audio, display mounts, projector mounts, carts/stands, and a full assortment of accessories.

Peerless-AV
2300 White Oak Circle
Aurora, IL 60502 USA
(800) 865-2112
(630) 375-5100
Fax: (800) 359-6500

Peerless-AV EMEA
Unit 3 Watford Interchange
Colonial Way, Watford
Herts, WD24 4WP
United Kingdom
+44 (0) 1923 200100
Fax: +44 (0) 1923 200101

Peerless-AV Latin America
Av. de las Industrias 413
Parque Industrial Escobedo
General Escobedo, N.L.,
México, 66062
+52 (81) 8384-8300
Fax: +52 (81) 8384-8360

